

7.5 in (190.5 mm)

10 in (254 mm)

1

2

5 (4 ea)

11a

11

12

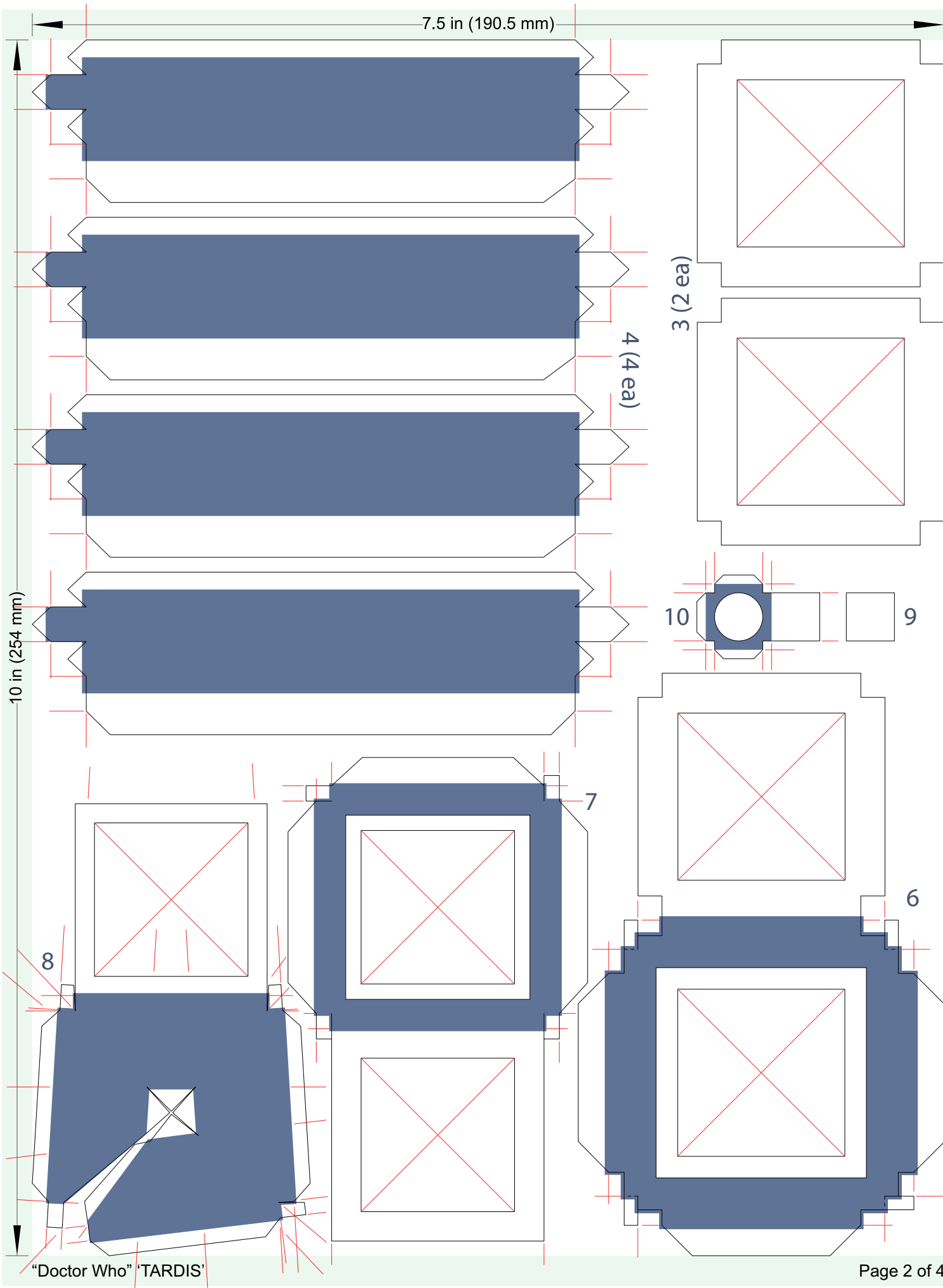
13

14

"Doctor Who" 'TARDIS'

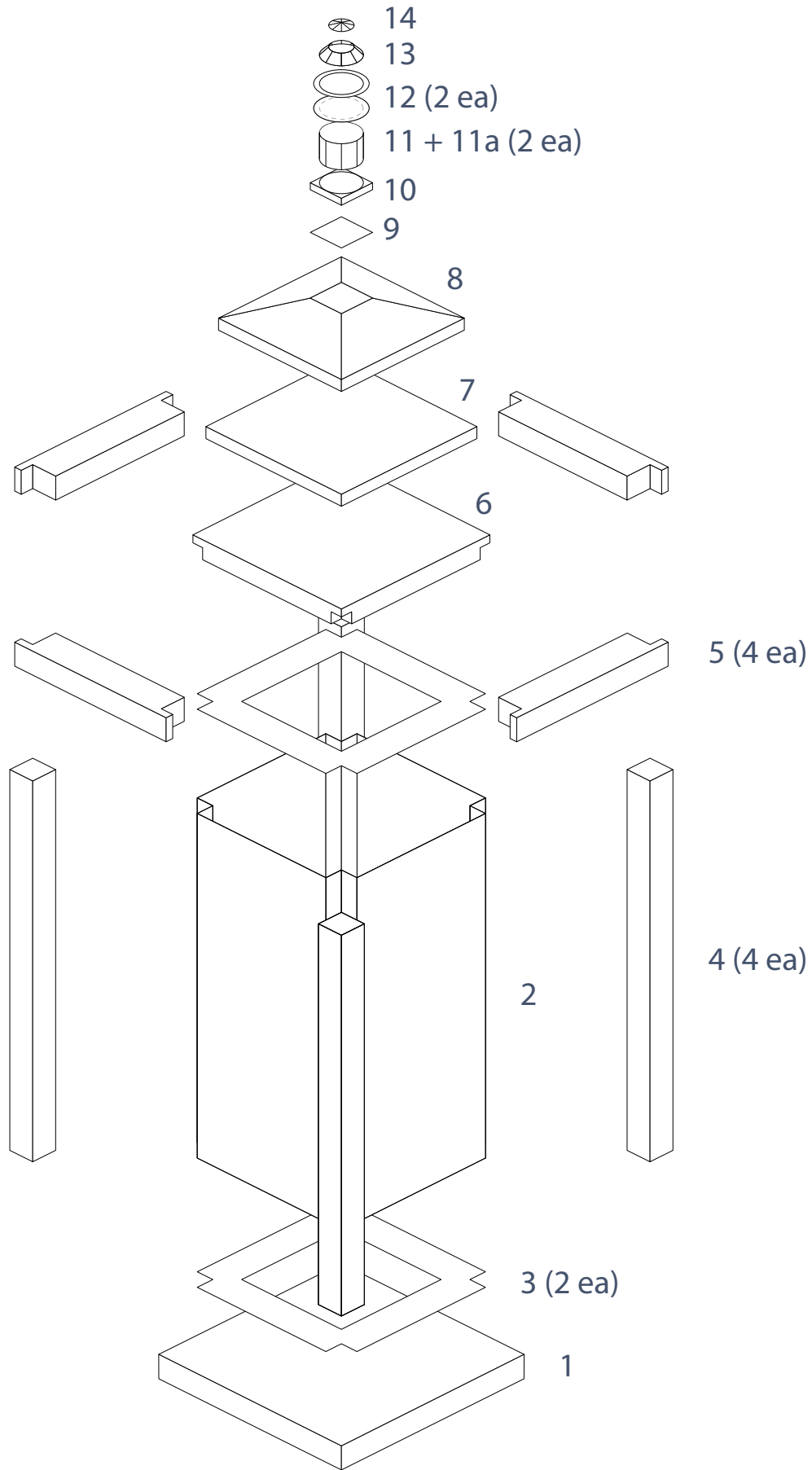
Page 1 of 4

This model designed and copyright © 2011 by Mike Hungerford. E-mail: chthulhu@chthulhu.com Web: <http://www.chthulhu.com/models.html>



7.5 in (190.5 mm)

10 in (254 mm)



You are assembling a 1:24 scale paper model of the 'TARDIS' from the BBC television program(me), "Doctor Who." Please read all of these instructions before beginning.

Use the red lines throughout the parts sheets to guide you in scoring the parts. Note that there are some red lines with special requirements which are detailed in the instructions for those parts.

Some parts have areas marked with a large red X that can be removed for access to interior glue tabs, and/or to open the interior of the model for storage. Cutting these sections out is optional but recommended for ease of assembly.

1. Score and cut out part 1, the BASE; remove the center square marked with a red X, but DO NOT fold and glue it yet; you will need to apply pressure to the top in steps 5 and 6, and this prevents the part from being crushed.
2. Score and cut out part 2, the BODY. Fold and glue it into the shape indicated in the diagram.
3. Cut out two parts 3; remove the center squares marked with red Xes; glue to the top and bottom of the BODY.
4. Score and cut out four parts 4, the COLUMNS. Fold and glue each into the shape indicated in the diagram.
5. Glue the BODY to the unfolded BASE where indicated.
6. Glue the seam edge of each COLUMN into a corner of the BODY with the bottoms of the COLUMNS hard against the top of the BASE (a thicker glue, such as Aleene's Original Tacky Glue, is recommended for this step). The tops of the COLUMNS will extend a short distance above the top of the BODY.
7. Fold and glue the BASE into the shape indicated in the diagram.
8. Score and cut out four parts 5, the SIGNS. Note that, for the red lines marked with an asterisk (*), score only the white tabs, not the "painted" portion of the part. Fold and glue each into the shape indicated in the diagram.
9. Glue a SIGN to the top of the BODY between each pair of COLUMNS.
10. Score and cut out parts 6, 7, and 8, the three layers of the ROOF. Note that some of the red alignment marks for part 6 are difficult to pair; be patient and careful not to score where you shouldn't. Remove the center squares marked with red Xes. Fold and glue each into its respective shape indicated in the diagram.
11. Cut out part 9 and glue it to the top of part 8.
12. Glue part 8 to the top of part 7.
13. Glue part 7 to the top of part 6.
14. Place the assembled ROOF between the COLUMNS so that it rests atop the BODY.
15. Score and cut out part 10, the base of the BEACON. Fold and glue it into the shape indicated in the diagram.
16. Score and cut out part 11 and two parts 11a, the lens of the BEACON. Fold and glue them into the shape indicated in the diagram.
17. Glue the lens of the BEACON to the base of the BEACON where indicated.
18. Cut out two parts 12. Glue the parts together back-to-back.
19. Score and cut out part 13. Form and glue it into a cone as indicated in the diagram.
20. Cut out part 14. Form and glue it into a cone as indicated in the diagram.
21. Glue part 14 over the tabs on part 13. Glue part 13 onto the top of part 12 where indicated. This assembly is the rain cap of the BEACON.
21. Glue the rain cap of the BEACON to the top of the lens of the BEACON.
22. Glue the assembled BEACON to the top of the ROOF.

Suggested Options:

Print two extra copies of the first page of parts; cut up the copies of part 2 and layer the pieces onto the BODY of the assembled model for more realistic texture.

Omit gluing the ROOF onto the BODY; the interior below the roof is open clear through the base and may be used as a gift box or hiding place, or as a battery compartment for an LED in the BEACON.